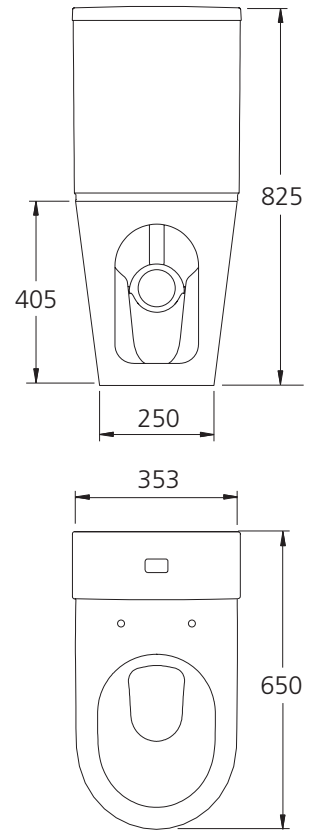


Naples

NA369 (Pan: NA369C-1P / Cistern: NA369C-2C / Seat: NA5011)
Back To Wall Toilet Suite



All dimensions in mm

Specifications /

WELs Rating	4 star, 3.5L avg flush volume (4.5/3L)
Pan	Rimless/Easy-clean design
Traps	Universal (S or P Trap)
Set outs	S-trap set out 50mm - 160mm as standard. P-trap set out 185mm floor to centre of outlet. Optional S-trap set out 150mm - 220mm (SPB0201)
Inlet	Bottom or back inlet
Cistern	Geberit dual flush valve (4.5L/3L)
Fixing	The cistern is fixed directly to the pan with a robust concealed base fixing.
Seat	Soft close and quick release toilet seat is provided as standard. Compression moulded toilet seat, fitted with buffers and metal hinges.
Colour	White
Installation	The installation of the toilet suite shall be in accordance with the normal minimum drain line grade requirements in AS/NZS 3500.2.
Materials	Vitreous china
Weight	Pan 32.0kg, cistern 13.0kg
Parts list	UF toilet seat, Geberit double flushing valve, square button, standard pipe.
Warranty	10 years vitreous china cistern and pan replacement of product; 2 years valves, fittings and seat; 1 year seals and labour (refer to oliveri.com.au)
Maintenance and care instructions	All surfaces should be cleaned with mild liquid detergent or soap and water. Do not use cream cleaners or citrus based cleaning products, as they are abrasive. Use of unsuitable cleaning agents may damage the surface. Any damage caused in this way will not be covered by warranty.

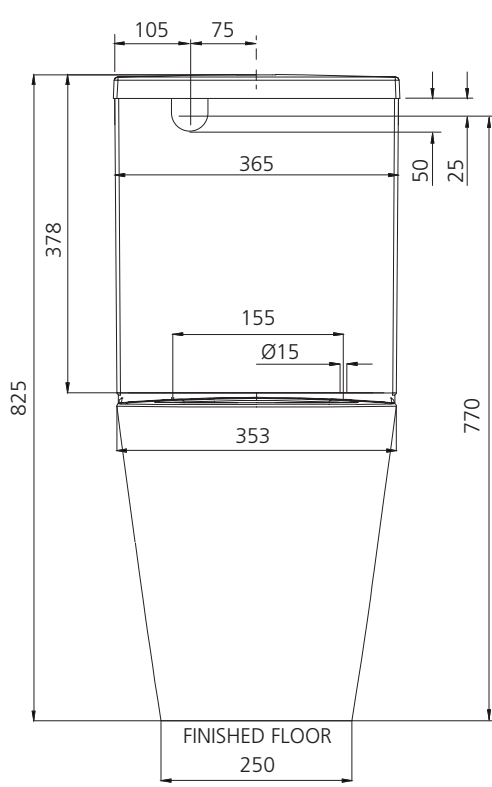
Naples

SET OUT DRAWING

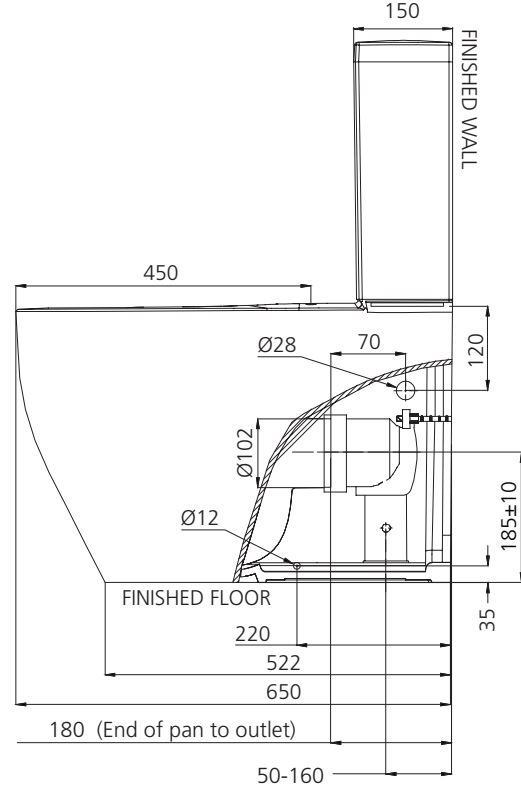
All dimensions in mm

NA369 (Pan: NA369C-1P / Cistern: NA369C-2C / Seat: NA5011)

Back To Wall Toilet Suite

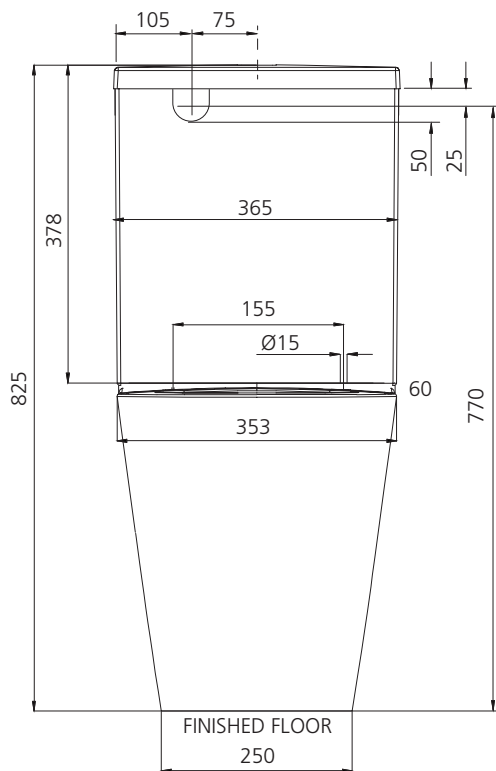


FRONT VIEW

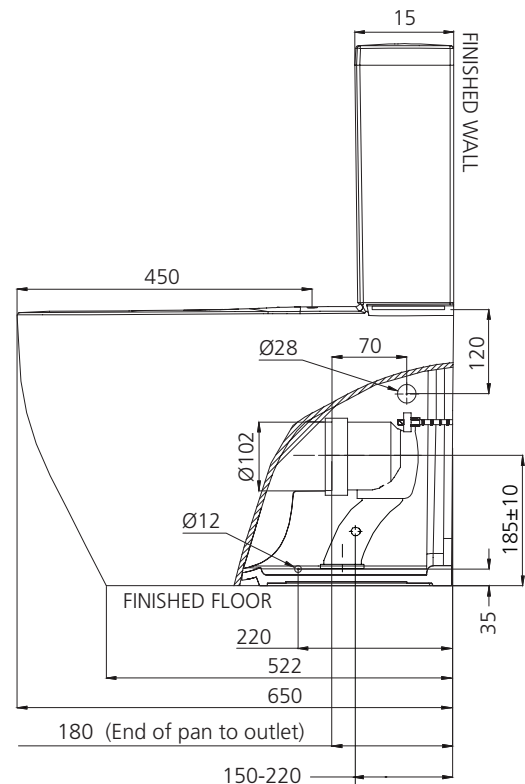


Standard Pan Connector: Pan Set Out: 50-160

OPTIONAL SET OUT DRAWING



FRONT VIEW



Optional Pan Connector: Pan Set Out: 150-220

