

## ML\_MSD\_FOAMDISP Automatic Foam Soap Dispenser

### Material Specifications

- #304 Stainless Steel Case
- ABS Top and Base

### Finishes

- Stainless Steel - ML\_MSD\_FOAMDISP\_SS
- Designer Black - ML\_MSD\_FOAMDISP\_BLK

### Dimensions

- 123mmW x 270mmH x 106mmD

### Installation Guidelines

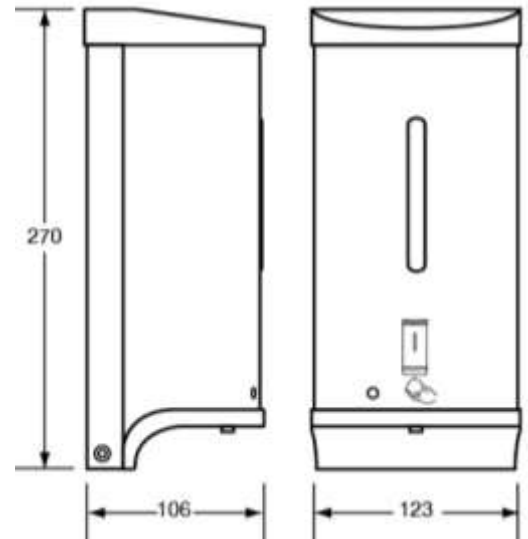
- *May be subject to Australian Building Code Regulations for height and location fixing and may be subject to placement as per architectural drawings. In all cases, this is the responsibility of the installer.*
- **Recommended Installation height for above counter top: Distance (minimum typical) is 200mm above counter top to ensure auto sensor detection works effectively.**

### For Dry Wall or Tile

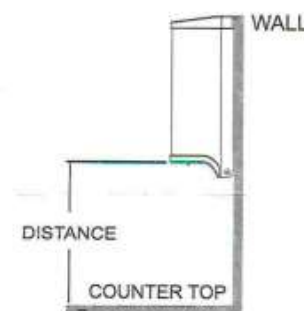
1. Tape the installation template to the appropriate location on the mounting surface.
2. Drill four holes at marked locations 5/16" diameter (8Ø).
3. Insert four plastic anchors (supplied) into the drilled holes and remove template.
4. Insert two screws (supplied) into top plastic anchors and leave 1/8" space from the wall under head for hanging dispenser.
5. Hang the dispenser on the 2 screws through the keyhole slots on the top of the backplate.
6. Use the key (supplied) to unlock the dispenser and pull out the housing cover.
7. Remove soap reservoir and lock dispenser to the wall with the remaining two screws (supplied) through the holes at the bottom on the backplate.
8. Tighten all screws and ensure unit is level. Insert the soap reservoir and close the unit to finish installation.

### For Mirror

1. Clean mounting surface with isopropyl alcohol.
2. Mark outline of dispenser on the mirror with masking tape.
3. Attach self-adhesive pads (supplied) to dispenser backplate.



### RECOMMENDED INSTALLATION:



DISTANCE (MINIMUM TYPICAL)  
NORMAL COUNTER TOP  
At least 7-7/8" (200 mm)

4. Remove the other paper liner from pads and place unit on mounting surface with even steady pressure and hold for 1 minute.
5. Let tape cure for 10 hours prior to filling dispenser with soap for use.

## Operation

- Soap is automatically dispensed when hands are placed in/under sensor zone.

## Consumable Advice

- Please ensure to clean the soap container properly before each re-fill as deposits of old soap will lead to malfunction and jamming.
- Do not dilute foam soap unless it is a concentrate and do not use soap containing abrasive. Please observe the indicated viscosity level of this foam soap.
- A Commercial Grade Foam Soap with a Viscosity of 1cps (centipoise) should be used in this dispenser to ensure the dispenser performs at an optimal level.

\*\*\* Any soap used that is not in line with the advice above may cause the unit to operate at a sub-optimal level, fail or damage the unit and could void the Metlam Australia product warranty.

## Features

- Provides one foam spray (0.6~0.8mL) per cycle
- Infrared Sensor Operated
- Powered by four AA Batteries (not included) provides approx. 25,000 cycles/one-year usage
- LED Standby and Low Battery Light
- Liquid Level Indicator
- Vandal resistant security lock (key provided)
- 800mL Removable Reservoir



This product is AS1428.1 compliant (accessible compliant) when installed in accordance with the guidelines.

*The technical recommendations contained in this document are necessarily of a general nature and should not be relied on for specific applications without first securing competent advice. Whilst Metlam Australia Pty Ltd has taken all reasonable steps to ensure the information contained herein is accurate and current, it does not warrant the accuracy or completeness of the information and does not accept liability for errors or omissions. Any Commercial product should only be installed by a competent tradesperson and serviced/maintained by knowledgeable janitorial staff or competent people. Metlam Australia accepts no responsibility for any damage to product, walls or fixtures due to incorrect installation or maintenance of any of their products.*