

# SOAP DISPENSERS



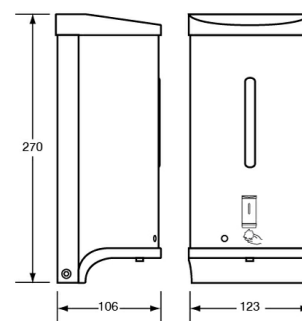
## ML\_MSD\_FOAMDISP\_BLK

Designer Black Auto Foam Soap Dispenser

### Specification

|                   |   |
|-------------------|---|
| Material          | #304 Stainless Steel Case,<br>ABS Top & Base  |
| Finish            | Designer Black Case,<br>Designer Black top & Base   |
| Mounting          | Surface Mount Concealed Fix   |
| Dimensions        | 270mmH x 123mmW x 106mmD  |
| Features          | Provides one foam spray (0.6~0.8mL) per cycle<br><br>Auto Operation: Infrared Sensor Operated/Powered by four AA Batteries (not included) provides approx 25,000 cycles/one year usage<br><br>LED Standby and Low Battery Light<br><br>Liquid Level Indicator<br><br>Can be used with select Medical Grade Soap<br><br>Vandal-resistant security lock (key provided)<br><br>Spare part available: ML_MSD_FOAMPUMP |
| Capacity          | 800ml Removable Reservoir   |
| Consumable Advice | A Commercial Grade Foam Soap with a Viscosity of 1cps (centipoise) should be used in this dispenser to ensure the dispenser performs at an optimal level.<br><i>* Any soap used that is not in line with the advice above may cause the unit to operate at a sub-optimal level, fail or damage the unit and could void the Metlam Australia product warranty.</i>   |
| Note              | * This unit is accessible compliant when installed in accordance with AS1428.1. guidelines.   |
| Related Videos    | <a href="#">Stainless Steel Cleaning &amp; Maintenance</a>  |

[Looking after your Metlam Australia Automatic Soap Dispenser](#)



### Downloads & Resources

Care & Maintenance  
Installation instructions

The photographs and line drawings of the products presented above are representational only. Metlam Australia Pty Ltd reserves the right to, and from time to time, make changes and improvements in design and dimensions.