

SPECIFICATIONS – MED100BK



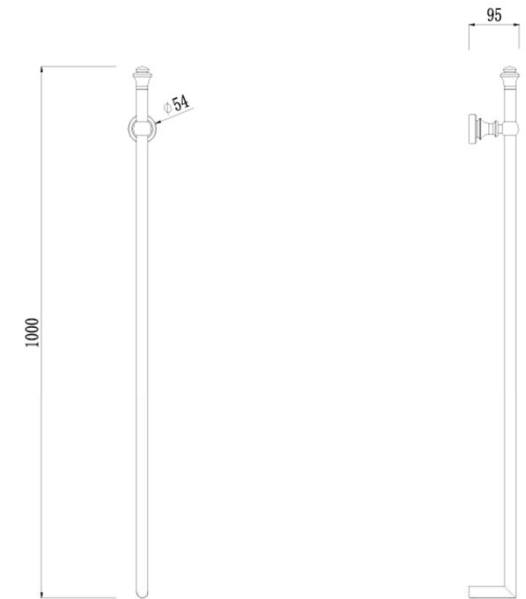
Medoc Vertical Heated Towel Rail – Matt Black

Features

- Single vertical rail
- Designed for bathroom use
- Concealed (hard-wired) installation
- Surface temperature 45-50°C
- Made from 304 Stainless steel
- IP55 rated
- 12V transformer included
- SAA Approved
- 15 years replacement warranty including finish

Cleaning & Care

- Regularly clean with mild soapy water
- Do not use harsh detergents, bleach or abrasive cleaners
- The use of any unsuitable cleaning products may damage the surface
- Refer to installation guide for correct installation
- Check for any product defects prior to installation



Available in



Chrome



Matt Black



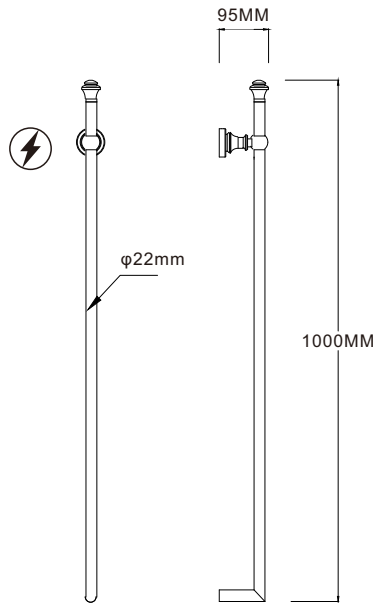
Brushed Nickel



Brushed Bronze

HEATED TOWEL RAIL

Installation Guide



⚡ Wiring Positions

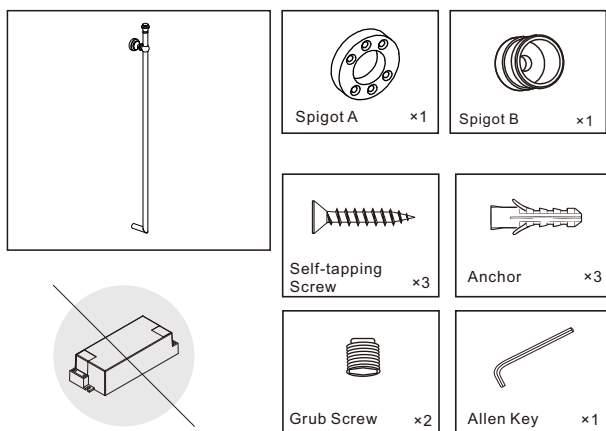
ITEM NO.:	MED100
WIDTH:	54 MM
HEIGHT:	1000 MM
DEPTH:	95 MM
POWER:	18 W
VOLTAGE:	12 V DC
WIRING METHOD:	Hard-wired
IP GRADE:	IP 55

- Please note that this appliance **MUST** be installed as prescribed by the relevant wiring rules and regulations, including the regulations covering installation of appliances and accessories in 'wet areas' such as bathrooms, showers and laundries.

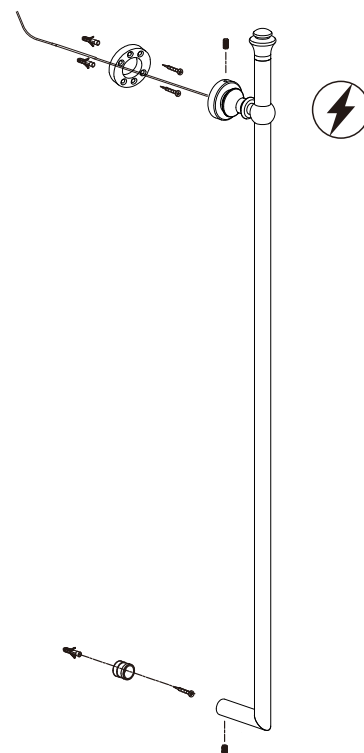
WARNING:

1. The appliance is not to be used by persons (including children) with reduced physical, sensory or mental capabilities, or lack of experience and knowledge, unless they have been given supervision or instruction.
2. Children being supervised not to play with the appliance.
3. **WARNING:** In order to avoid a hazard for very young children, this appliance should be installed so that the lowest heated rail is at least 600 mm above the floor.
4. Means for disconnection must be incorporated in the fixed wiring in accordance with the wiring rules.

PRODUCT ACCESSORIES LIST



12V Transformer
NOT INCLUDED



⚡ Wiring Positions

INSTALLATION STEPS

Concealed Wiring Installation (Hard-Wired)

This appliance MUST be installed by a licensed electrician.

- 1.Remove the towel rail from the box. Check all parts are supplied against the Product Components List.
- 2.Pull the electrical cord out from the bracket that contains the electrical cord.
- 3.Hold the towel rail up against the wall in the desired position. Using a pencil draw a circle around each bracket to mark the bracket fixing positions on the wall. Remove the towel rail from the wall.
- 4.Remove the spigots from the bracket and hold them up against the wall inside the drawn circles. Mark the screw hole positions for each bracket fixing point.
- 5.Using a suitable drill bit, drill the holes to the required screw depth into the screw hole positions drawn on the wall at each fixing point.
- 6.Place the plastic anchors into the drilled holes.
- 7.Using the 3 self-tapping screws, screw the 2 spigots onto the wall. The electrical wiring cord must be inserted through the spigot hole at the electrical outlet position.
- 8.Put the towel rail up on the wall, once the 2 brackets are in place covering the 2 spigots, use the 2 grub screws by placing them in the small holes on each bracket and fasten them to the spigots by using the Allen Key provided.

SAFETY INFORMATION

As with any electrical appliance, you should be aware of basic safety precautions when using this heated towel rail. Please read these instructions, and file them for future reference:

- 1.Because this appliance gets hot, young children and infirm people should be closely supervised when nearby. Do not let young children treat the towel rail as a toy.
- 2.Be aware that the towel rail will get slightly hotter than normal during warmer weather and when insulated by towels.
- 3.The rail should NOT be used for anything other than its intended use.
- 4.It would be very dangerous to put the towels or anything else which has been in contact with hazardous liquids on this towel rail.
- 5.Use this appliance only on the voltage specified on the rating label.
- 6.Electrical work should only ever be done by authorised persons.
- 7.Do NOT immerse the towel rail in any liquid.
- 8.Make sure the supply cord never touches heated surfaces.
- 9.If the electrical cord or connection is damaged DO NOT attempt to repair; please contact the supplier.

WARNING

- A. To reduce the risk of injury, do not drape cord over the counter top or table top where it can be pulled down by children or tripped over unintentionally.
- B. A short power-supply cord (or detachable power-supply cord) is provided to reduce risks resulting from becoming entangled in or tripping over a longer cord.
- C. Longer detachable power-supply cords or extension cords are available and may be used if care is exercised in their using.
- D. If a long detachable power-supply cord or extension cord is used.
- E. The marked electrical rating of the detachable power-supply cord or extension cord should be at least as great as the electrical rating of the appliance;
- F. If the appliance is of the grounded type, the extension cord should be a grounding type 3-wire cord;
- G. The longer cord should be arranged so that it will not drape over the counter top or table top where it can be pulled on by children or tripped over.

A licensed electrician is required to carry out the installation of heated towel rail using the concealed wiring system.