

# SOAP DISPENSERS



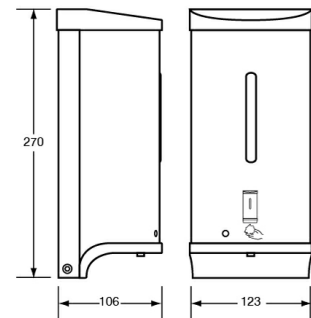
## ML\_MSD\_FOAMDISP\_BLK

Auto Foam Soap Dispenser in Designer Black

### Specification

Material	#304 Stainless Steel Case, ABS Top & Base
Finish	Designer Matte Black
Specify	<a href="#">ML_MSD_FOAMDISP_BLK</a>
Mounting	Surface Mount Concealed Fix
Dimensions	270mmH x 123mmW x 106mmD
Capacity	800ml removable reservoir
Features	Provides one foam spray (0.6~0.8mL) per cycle Auto Operation: Infrared Sensor Operated/Powered by four AA Batteries (not included) provides approx 25,000 cycles/one year usage LED Standby and Low Battery Light Liquid Level Indicator Can be used with select Medical Grade Soap Vandal-resistant security lock (key provided) Spare part available: <a href="#">ML_MSD_FOAMPUMP &amp; ML_MSD_CONTROLBOX</a>
Consumable Advice	A Commercial Grade Foam Soap with a Viscosity of 1cps (centipoise) should be used in this dispenser to ensure the dispenser performs at an optimal level. <i>* Any soap used that is not in line with the advice above may cause the unit to operate at a sub-optimal level, fail or damage the unit and could void the Metlam Australia product warranty.</i>
Metlam Australia Consumable	<a href="#">ML_HFS</a> : Hand Foam Soap Aloe Vera
Also Available	<a href="#">ML_MSD_FOAMDISP_SS</a> : Stainless Steel
Note	* This unit is accessible compliant when installed in accordance with AS1428.1 guidelines.

For installation instructions download the Metlam Australia App



### Downloads & Resources

Care & Maintenance  
Installation instructions  
Associated Videos  
Stainless Steel Cleaning & Maintenance  
Looking after your Metlam Australia Automatic Soap Dispenser  
How to install a Metlam Australia MSD Soap Dispenser

*The photographs and line drawings of the products presented above are representational only.  
Metlam Australia Pty Ltd reserves the right to, and from time to time, make changes and improvements in design and dimensions.*