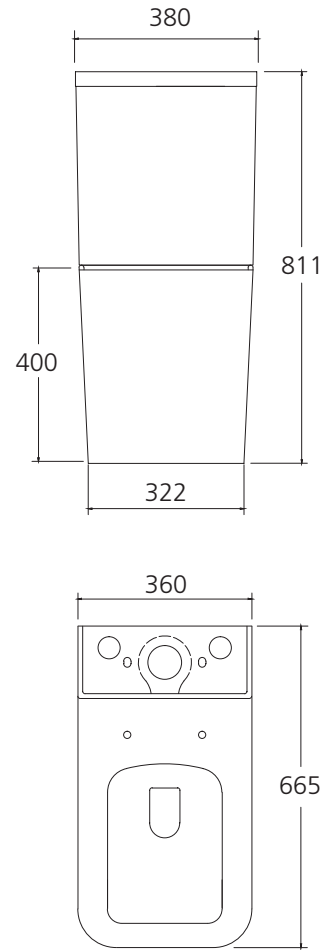


Munich

MU1263 (Pan: MU1263T / Cistern: MU1263TW / Seat: MU1263SC)

Back To Wall Toilet Suite

All dimensions in mm



Specifications /

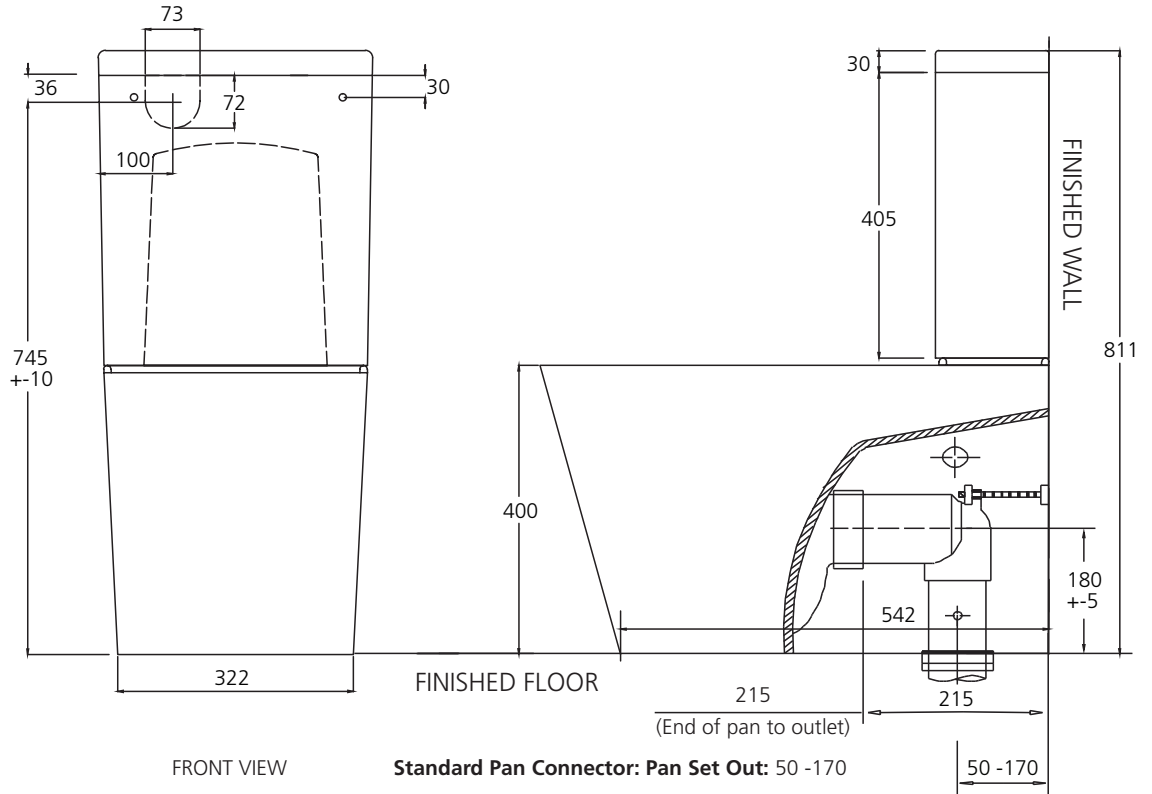
WELs Rating	4 star, 3.5L avg flush volume
Pan	Rimless/Easy-clean design
Trap(s)	Universal trap for S or P-trap installations. S-trap set out 50mm-170mm as standard. P-trap set out 185mm floor to centre of outlet. Optional S-trap set out 150mm - 260mm (SPB0201)
Cistern	Geberit dual flush cistern (4.5L/3L)
Fixing	The cistern is fixed directly to the pan with a robust concealed base fixing.
Seat	Soft close and quick release toilet seat is provided as standard. Compression moulded toilet seat, fitted with buffers and metal hinges.
Colours	White
Installation	The installation of the toilet suite shall be in accordance with the normal minimum drain line grade requirements in AS/NZS 3500.2.
Materials	Vitreous china
Weight	58.6kg
Parts list	Square seat cover, hinge, decorative cover, S-trap connector, seal ring, fixing plate, fixing screw, floor fixing screw
Warranty	20 years vitreous china cistern and pan replacement of product; 5 years replacement seat; 2 years valves and fittings; 1 year seals and labour (refer to oliveri.com.au)
Maintenance and care instructions	All surfaces should be cleaned with mild liquid detergent or soap and water. Do not use cream cleaners or citrus based cleaning products, as they are abrasive. Use of unsuitable cleaning agents may damage the surface. Any damage caused in this way will not be covered by warranty.

Munich

MU1263 (Pan: MU1263T / Cistern: MU1263TW / Seat: MU1263SC)
Back To Wall Toilet Suite

SET OUT DRAWING

All dimensions in mm



OPTIONAL SET OUT DRAWING

