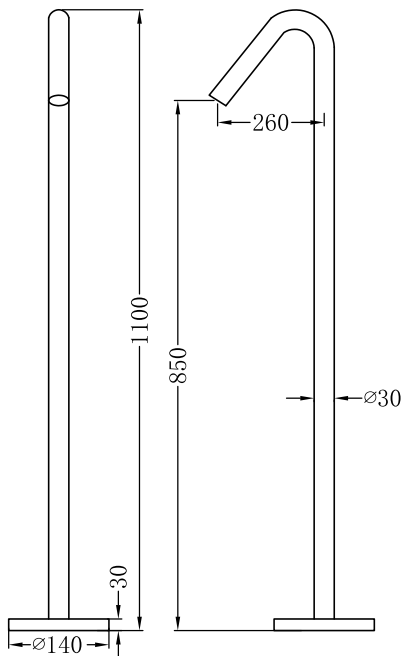
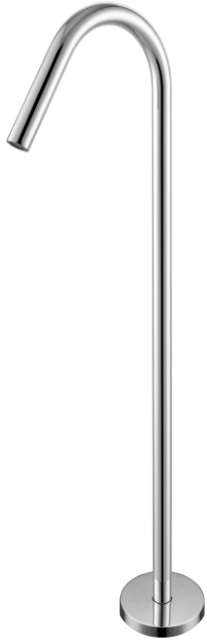


Bianca Floormount Bath Spout


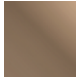








Dimensions are nominal measurements only.

SPECIFICATION

PRODUCT CODE	YSW2219-03A
WELS RATING	N/A
WATERMARK LICENSE	WM-060073
TEMPERATURE RATING	MIN 1°C-MAX 75°C
PRESSURE RATING	MIN 150KPa-MAX 500KPa

FINISH

	CHROME NR221903aCH		BRUSHED BRONZE NR221903aBZ
	MATTE BLACK NR221903aMB		BRUSHED NICKEL NR22193aBN
	GUN METAL NR221903aGM		BRUSHED GOLD NR221903aBG
	GRAPHITE NR221903aGR		MATTE WHITE NR221903aMW

MAINTENANCE AND CARE

All surfaces should be cleaned with mild liquid detergent or soap and water.

Do not use cream cleaners or citrus based cleaning products, as they are abrasive.

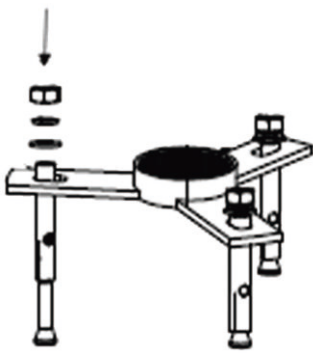
Use of unsuitable cleaning agents may damage the surface. Any damage caused in this way will not be covered by warranty.

PACKING INCLUDES

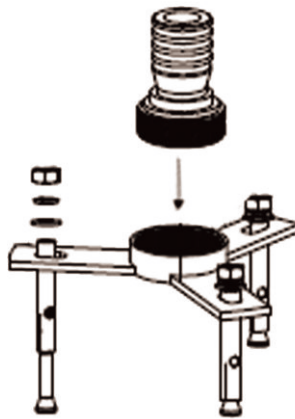
- 1x spout
- 1x triangle bracket
- 1x manual
- 1x cover plate
- 1x glove
- 3x dynabolt



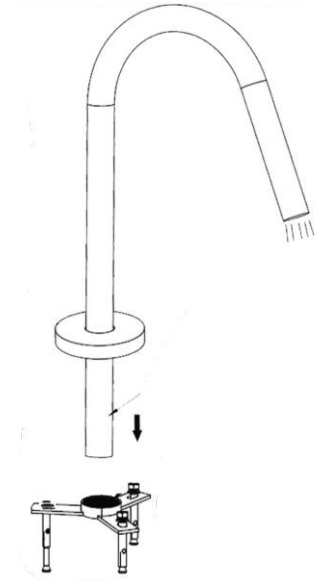
Install Instruction



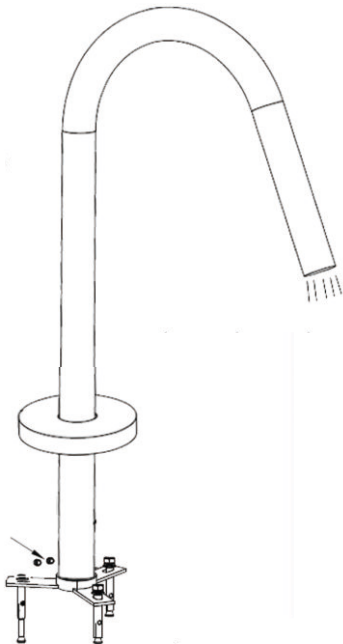
1. Fixing the triangle part by screw nuts and washers.



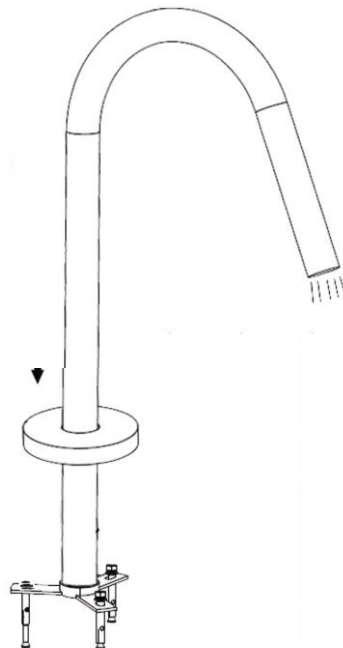
2. Put the adapter connect into the triangle.



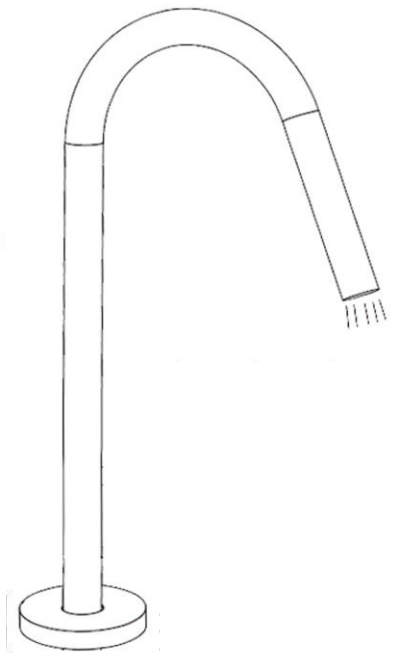
3. Press down the freestanding spout.



4. Fasten the grub screws.



5. Press down the flange plate.



6. Finish