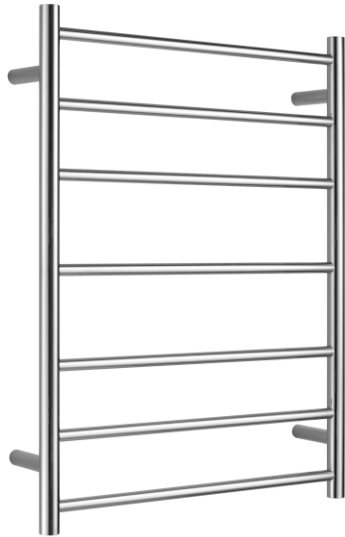


Towel Ladders





SPECIFICATION

PRODUCT CODE

1901



FINISH

	CHROME NR190001CH		MATTE BLACK NR190001MB
	GUN METAL NR190001GM		BRUSHED NICKEL NR190001BN
	BRUSHED GOLD NR190001BG		GRAPHITE NR190001GR
	BRUSHED BRONZE NR190001BZ		MATTE WHITE NR190001MW

MAINTENANCE AND CARE

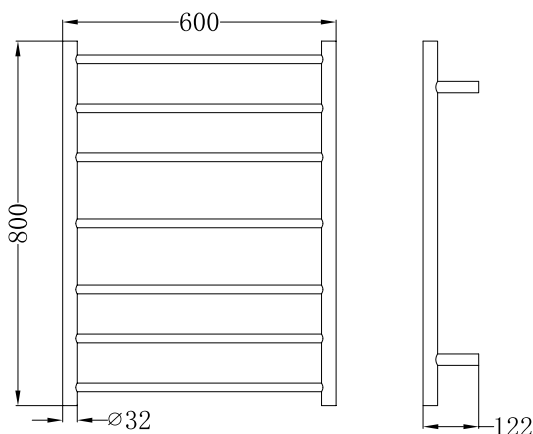
All surfaces should be cleaned with mild liquid detergent or soap and water.

Do not use cream cleaners or citrus based cleaning products, as they are abrasive.

Use of unsuitable cleaning agents may damage the surface. Any damage caused in this way will not be covered by warranty.

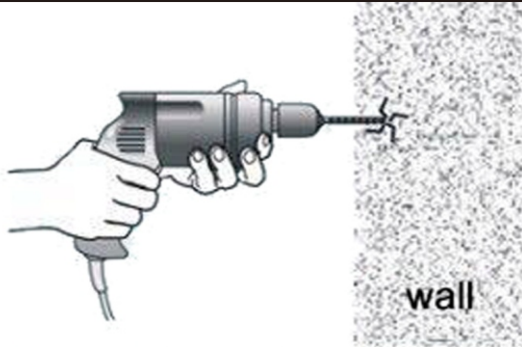
PACKING INCLUDES

- 1x towel ladders
- 1x installation kit



Dimensions are nominal measurements only.

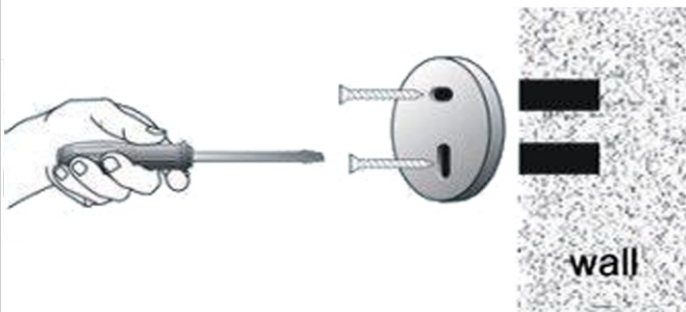




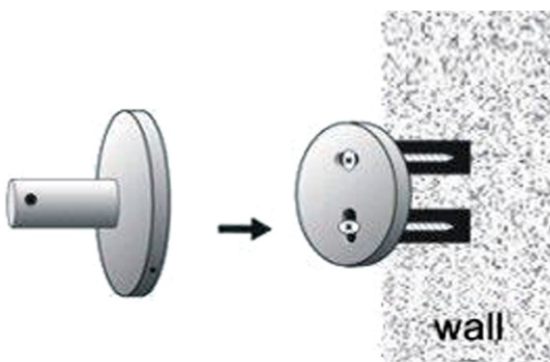
1. Put the fixing blocks (piece) over on the right place on the wall , and stay level, use marking pen through the holes of fixing block to mark out fixing spots on the wall. Then drill holes by electric hand drill with 6mm drilling bit on the spots.



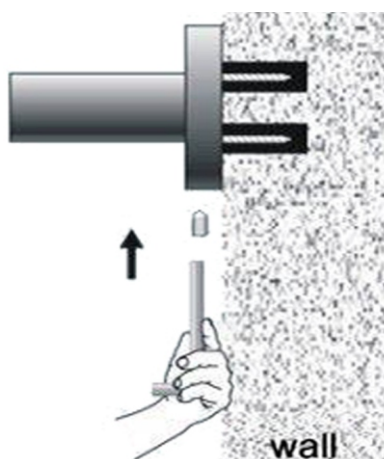
2. Put the expansion plugs into the wall by hammer.



3. Put fixing block cover on the holes and fix firmly by expansion screws.



4. Put the base of bathroom accessory cover on the fixing blocks.



5. Screw grub screws into the base, make it against to the fixing block tight and firm.