

# Nero

## CLASSIC BASIN MIXER

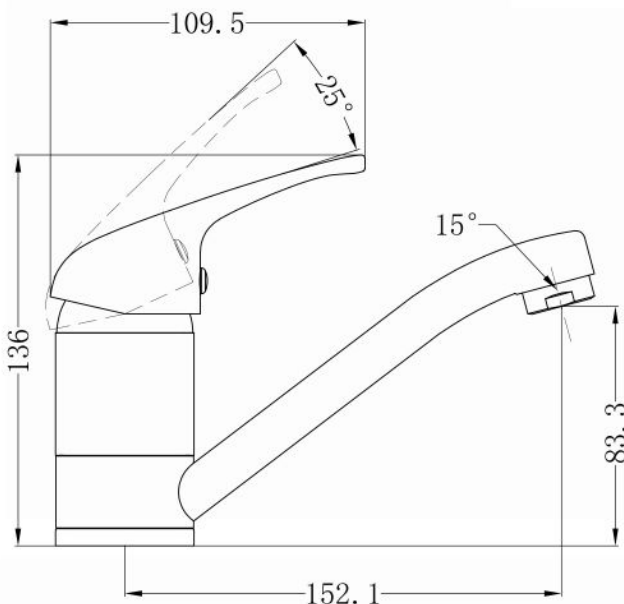


### SPECIFICATION

PRODUCT CODE	YSW1100-07 150mm
WELS RATING	4 STAR 7.5L/MIN
WATERMARK LICENSE	WM-060073
TEMPERATURE RATING	MIN 1°C-MAX 75°C
PRESSURE RATING	MIN 150KPa-MAX 500KPa

### FINISH

NR110007150CH chrome



Dimensions are nominal measurements only.

### MAINTENANCE AND CARE

All surfaces should be cleaned with mild liquid detergent or soap and water.

Do not use cream cleaners or citrus based cleaning products, as they are abrasive.

Use of unsuitable cleaning agents may damage the surface. Any damage caused in this way will not be covered by warranty.

### PACKAGING INCLUDES

- 1x basin mixer
- 2x flexible hose
- 1x base ring
- 1x installation kit



Versions: 2019.12

[www.nerotapware.com.au](http://www.nerotapware.com.au)

## INSTALL INSTRUCTION

**IMPORTANT:** Please read all of the instructions before installation.

### General:

Nero recommends this product is installed by a licensed plumber in compliance with all relevant regional regulations.

Do not hydrostatic test the installation with this mixer installed. Damage to the ceramic cartridge may occur.

All pipe work must be thoroughly flushed prior to the installation of the mixer.

In-line filters must be fitted on both hot and cold supplies to prevent foreign particles damaging the ceramic cartridge.

Do not remove the ceramic cartridge from the mixer when installing.

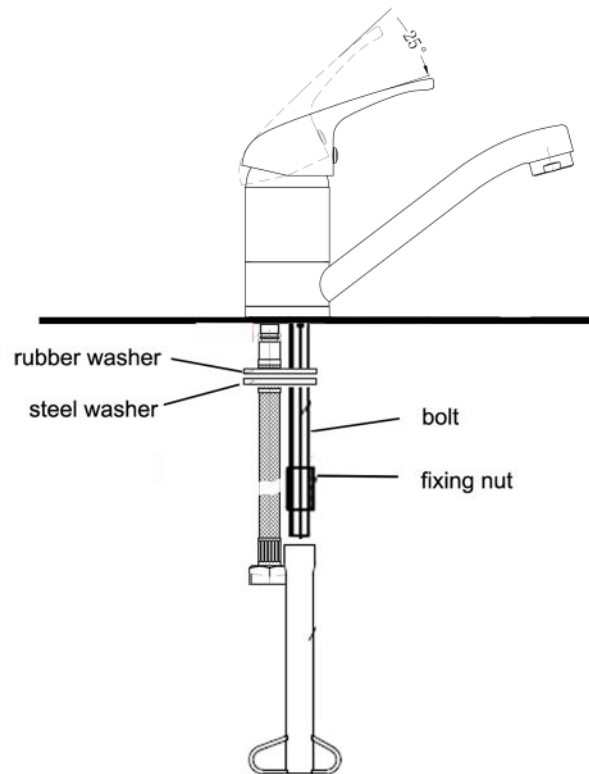
After installation all connections must be checked for leaks.

All outlets used primarily for personal hygiene shall deliver water at a safe temperature as per regional regulations.

This mixer is not recommended for use in uncontrolled heating systems such as wet-backs or solar heating units unless a suitable tempering valve is fitted.

If limited water flow is experienced, locate aerator and filter washers and clean away foreign material as required.

It is the responsibility of the installer to ensure a waterproof seal is achieved between the product and mounting surface. If in doubt about the quality of the seal, remove the product and reinstall.



1. Fit the base plate with o-ring in the underside of the mixer body.
2. Screw the flexible hoses and fixing thread into the mixer body and fully hand tighten.
3. Pass the tail of flexible pipes through the hole on the basin from above, and place the mixer in position on the basin. Inspect to see if any alteration to the existing supply pipe work is required. Make any necessary alterations.
4. Tighten the nut onto fixing thread compressing the fixing flange and rubber washer onto the under-side of the counter.
5. Check that the mixer body is correctly positioned, fully tighten the female screw firmly.
6. Connect the water supply pipes to the tail of flexible hoses with the hot water and cold water.
7. Check for wany water leaks.