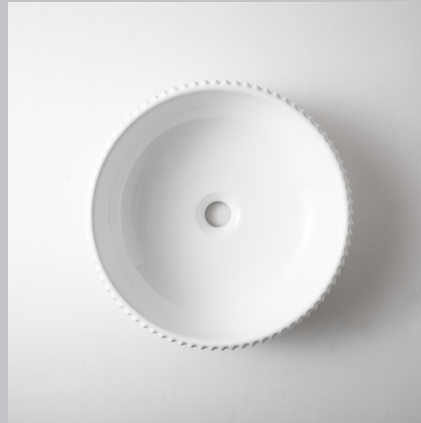
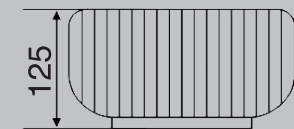
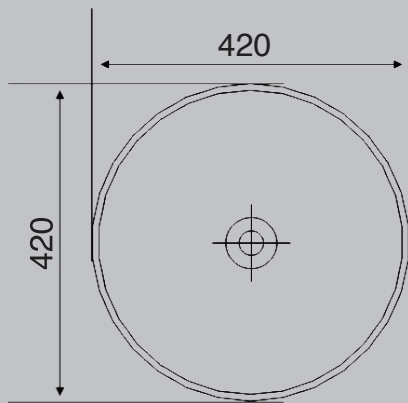


CERAMIC BASIN

Fluted Above Counter Basin

SKU: CLA-02/CLA-02-M

- Size: 420*420*125mm
- Available in Gloss white & Matte white
- Above counter basin
- Waste: 32mm With overflow



CLA-02



CLA-02-M



CLA-02



CLA-02-M

DOMESTIC WARRANTY:

5 YEAR WARRANTY CERAMIC
5 YEARS replacement parts or product

COMMERCIAL WARRANTY:

5 YEAR WARRANTY CERAMIC
5 YEARS replacement parts or product



CLA-02



CLA-02-M