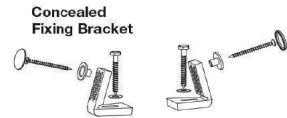
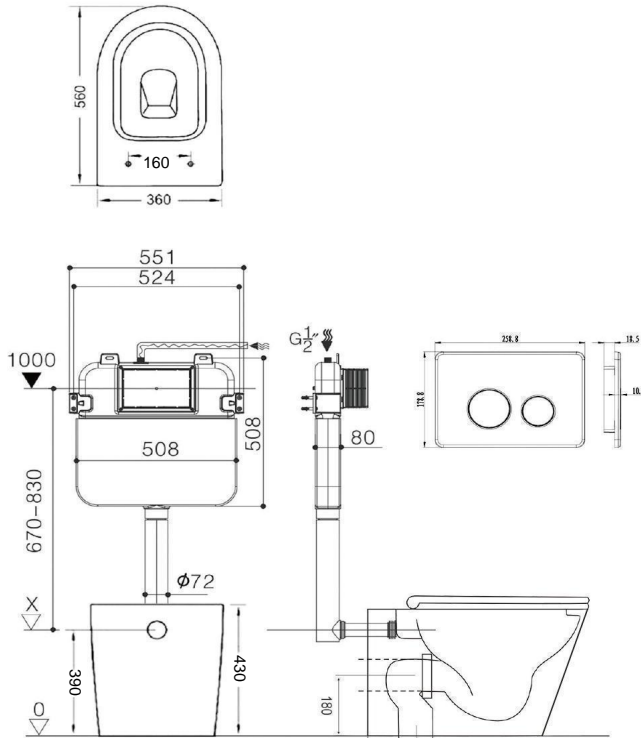


ZERO WALL FACED RIMLESS WHIRLPOOL FLUSH FLOOR PAN

Model: Z-28P



Model Name: Zero
 Code: Zero-Z28
Warranty: 15 years Warranty on Ceramic Pan, 15 years free replacement Of Concealed Inwall cistern parts, First 12 months on site support, 1 year warranty on the soft closing toilet seat



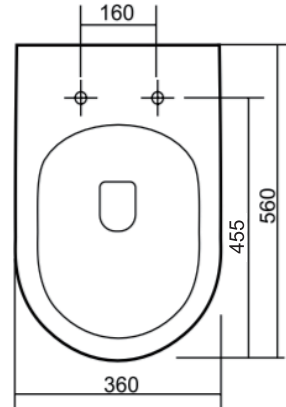
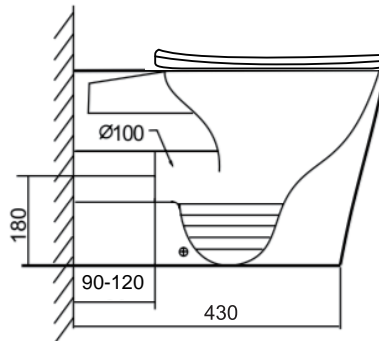
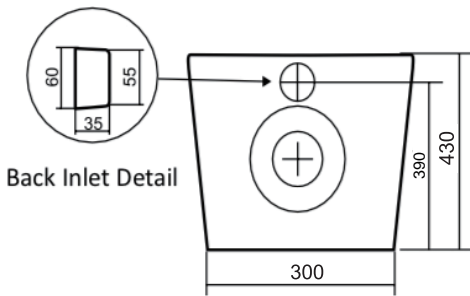
Note: All height dimensions to underside of pan, make allowance for bedding when installing.
Bedding: The pan should be fixed to the floor with a sand cement mixture of 3:1 to a depth of 60mm. Do not use lime or fast drying cement in the bedding mixture. When bedded the back of the foot of the pan should be approximately 10mm above the finished floor.
Bracket fixing: The pan should be bedded with an acetic cured silicone sealant and fixed with the Fixing Brackets supplied.

Specifications & Data

FRONT VIEW

SIDE VIEW

TOP VIEW



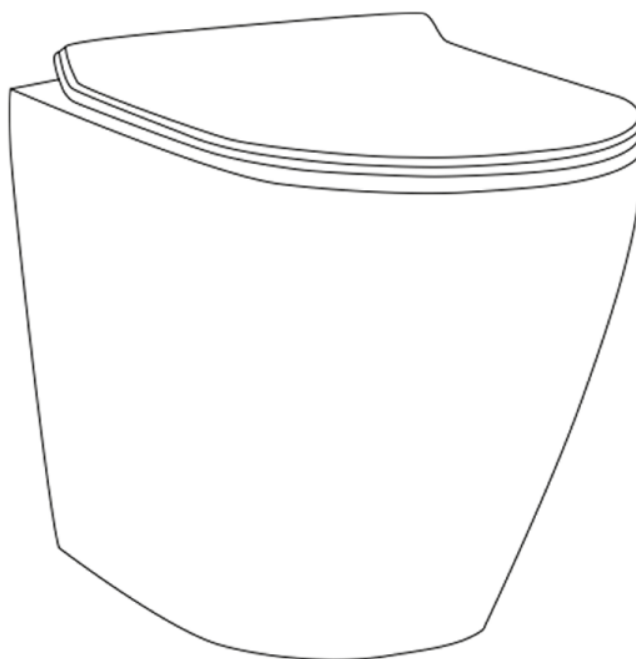
Code	Z-28P	Water Consumption	3.5L Average Flush
Color	White	Trap	Universal S-trap 90-120mm P-trap 180mm
Warranty	15 Years Warranty on Ceramic Pan, 15 Years free replacement of Concealed Inwall Cistern Parts, First 12 Months on Site Support, 1 Year Warranty on the Soft closing toilet seat	Seat	Soft Closing Quick Release
Buttons Color	Chrome, Matte Black, Brushed Nickel Gun Metal, Brushed Gold, Brushed Bronze Matte White	WELS Rating	4 Stars

INSTALLATION INSTRUCTIONS



Great Services, Great Design, Great Product

BACK-TO-WALL PAN



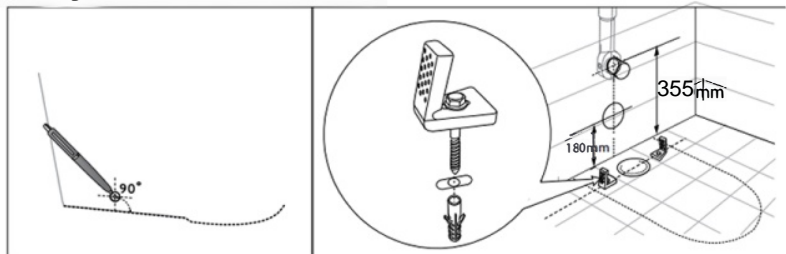
Prior to Installation:

- Inspect toilet to ensure no damages have occurred while in shipping.
- Observe all plumbing and building codes in accordance with your state and local requirements.
- Additional floor and wall preparations may be necessary to avoid damage to the product.

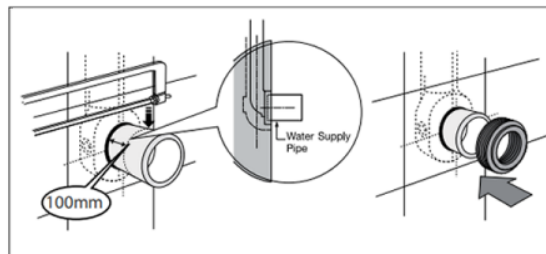
General Recommendations: Read installation and maintenance instructions thoroughly before installing the toilet. Be sure to use proper tools and always wear proper personal safety accessories for your protection.

Note: All measurements for roughing in should be taken from the finished wall/floor.

Fixing bracket & Water inlet



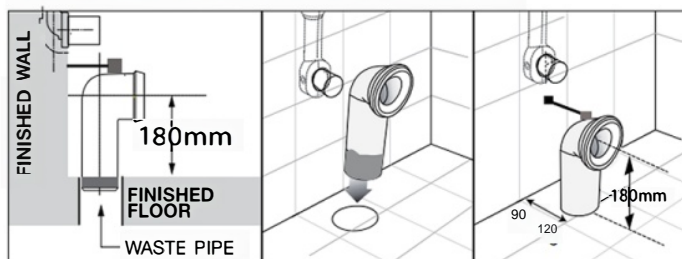
Position pan against wall and mark off pan fixing holes on floor.



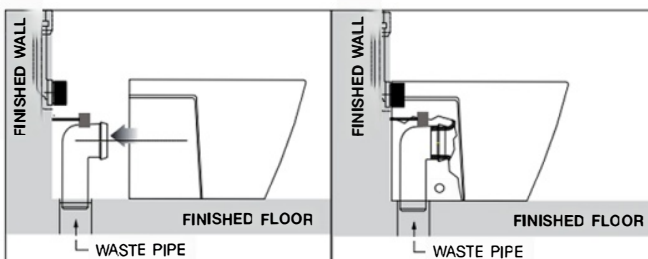
Water inlet pipe should be roughed in at 320mm. Cut inlet pipe so that 100mm protrudes from finished wall and attach seal.

S-Trap Installation

NOTE: This is a set out of 90-120mm

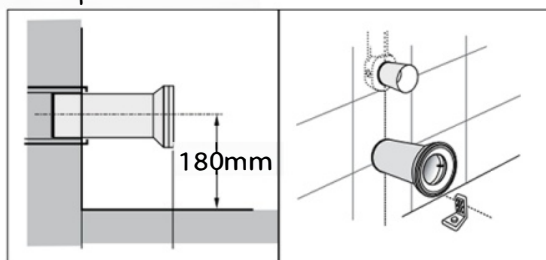


Insert waste pipe into floor at a setout of 90-120 and 180mm above finished floor and fix bracket into position as per diagram above

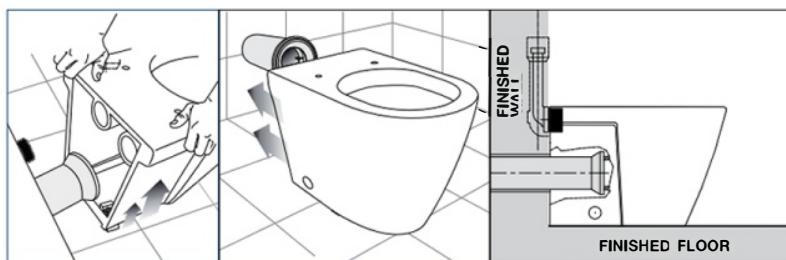


Push pan into position. Ensure that you make a firm connection with inlet and outlet pipes and avoid disturbing the floor fixing brackets. Flush test for leaks.

P-Trap Installation

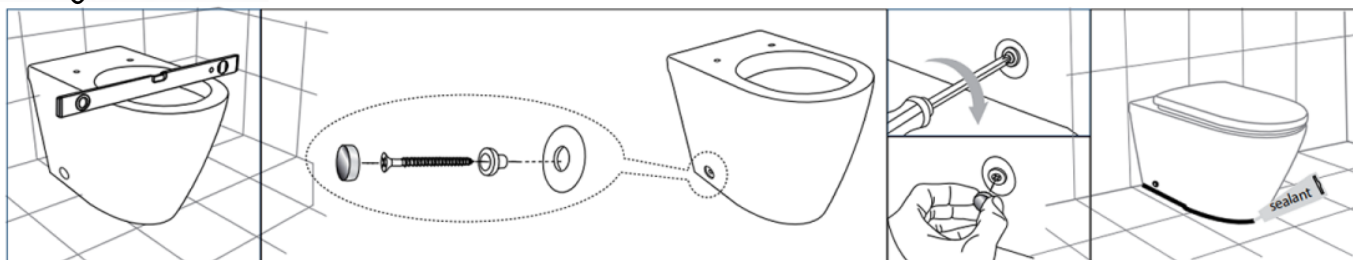


100mm DWV with pan collar (not supplied).

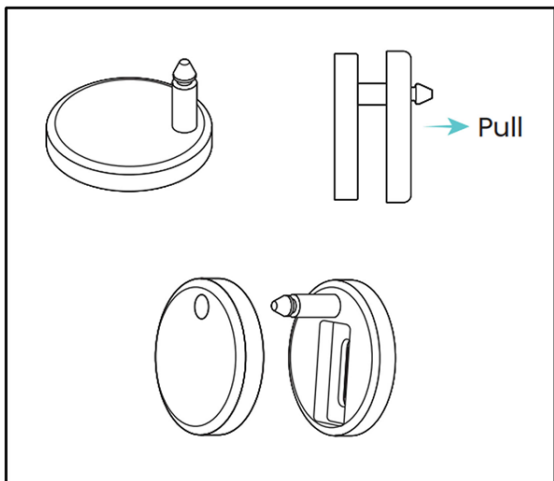


Push pan back into position. Ensure that you make a firm connection with inlet and outlet pipes and avoid disturbing the floor fixing brackets. Flush test for leaks.

Fixing Pan to Floor

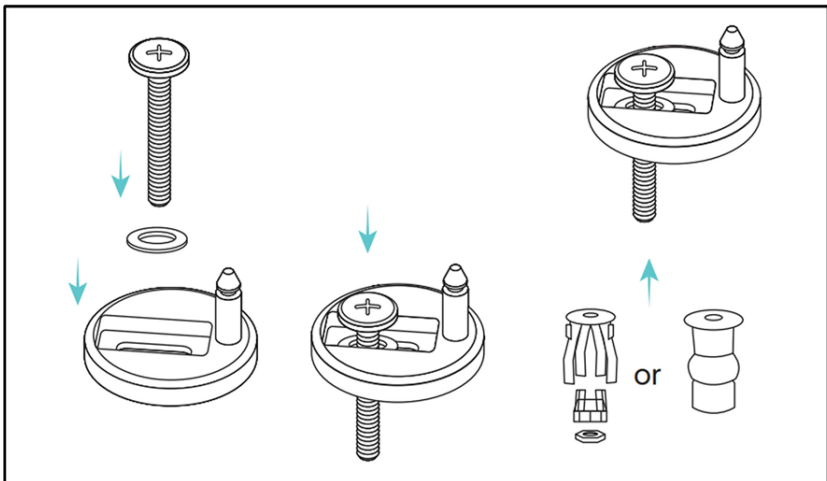


Ensure that pan is level. Fix pan to floor using fixing screws and flexible sealant. Install soft closing seat.



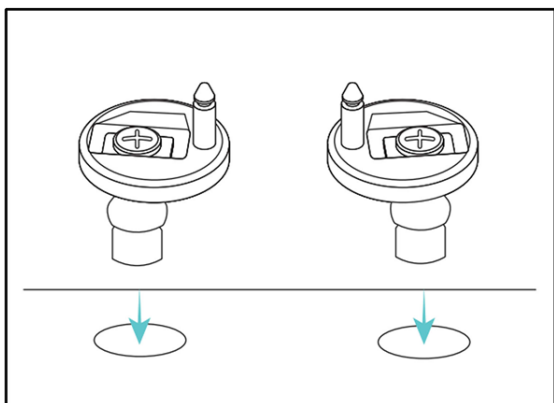
Dissassemble

- Disassemble the cover cap and the hinge.



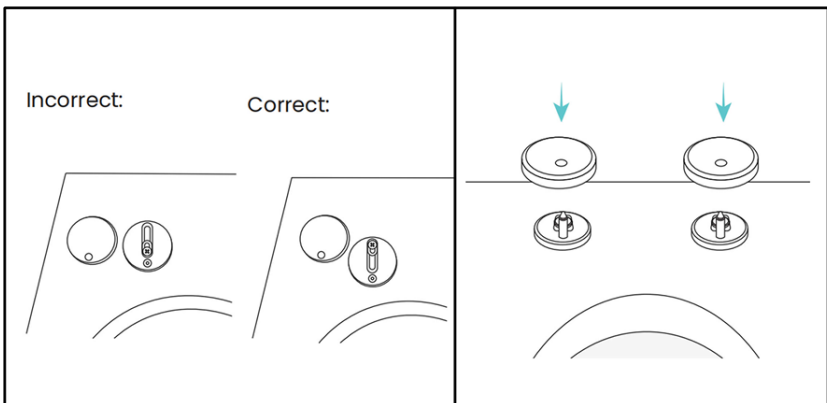
Construct Hinges

- Insert screw and nut into the hole on the hinge.
- Attach blind hole screw fixing to the bottom of screw.



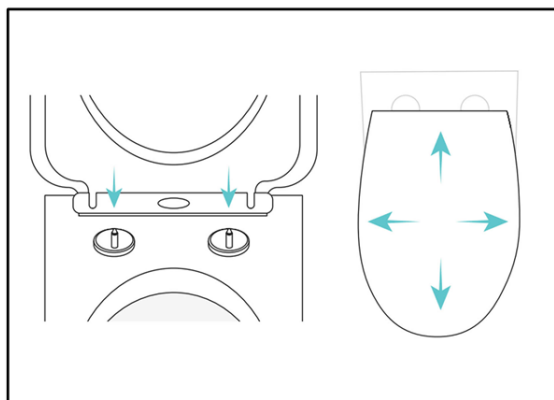
Attach Hinges

- Insert hinges with blind hole screw fixings attached into holes on toilet bowl.
- Lightly tighten hinges with a screwdriver to allow for later adjustment.



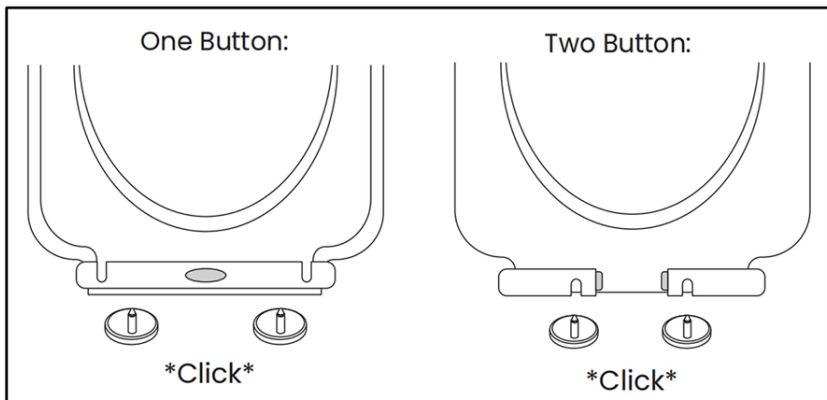
Adjust and Cover Hinges

- Be sure the hinge is all the way forward for proper seat fitting.
- Place the covers onto the hinges.



Adjust and Attach Seat

- Align seat to the hinges then firmly tighten the hinges.
- Attach seat to the secure hinges.
- Adjust seat to align to the bowl.



TOILET SEAT USAGE

- To remove, push middle button until you hear a "click", then pull straight up.
- To re-install, align hinge posts with reference marks on seat, then push down until you hear a "click".