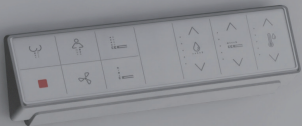
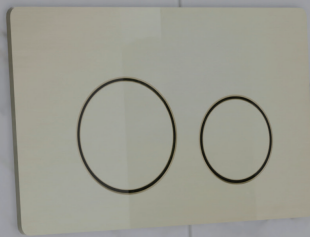
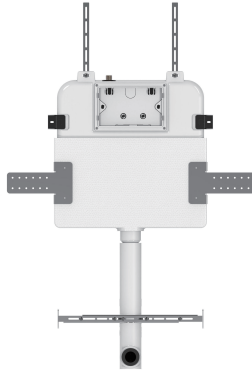


NOVUS SOFT SQUARE WALL FACED FLOOR STANDING SMART BIDET PAN

Model: V-7203



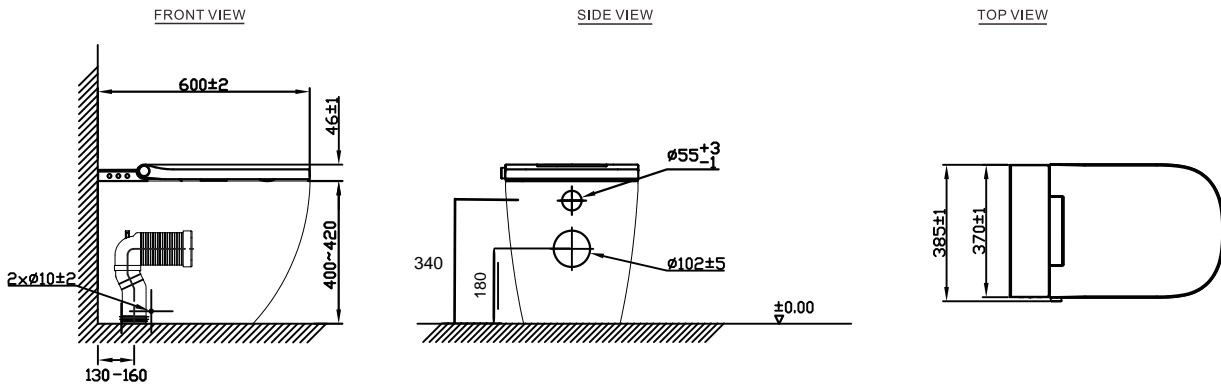
Note: Important – Please refer to the installation guide for the correct installation criteria.



The Zumi Novus Smart Toilet Suite with an integrated bidet seat complies with WMTS-051. The bidet seat features an integral break tank with a 130mm air gap, in compliance with AS 2845.2. As a result, it meets the high-hazard backflow prevention requirements of AS/NZS 3500.1, eliminating the need for an RPZ valve.

V-7203 & REMOTE SPECS

Specifications & Data



Code	V-7203
Rate Voltage	950W
Water Proof Rating	IPX4
WELS	4 Stars 3/4.5L
Trap	P-trap: 180mm
	S-trap: 130-160mm
Water Pressure	0.08-0.8MPa
Heating Type	Instant Heating
Functions	Rear Wash, Women Wash, Air Drying, Nozzle Position Adjustment, Water Pressure Adjustment, Massage Wash
Warranty	First 12months on site support, 15 years on the concealed cisterns and ceramic pans, bidet seat with 3 years free replacement warranty